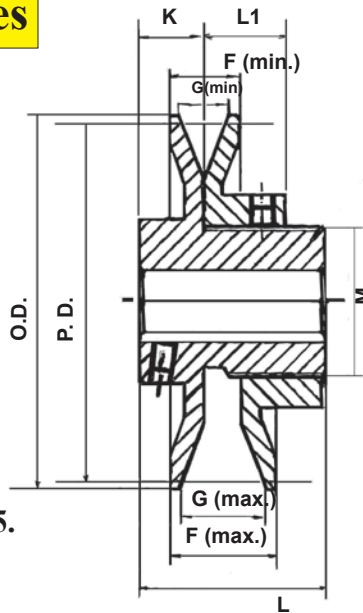


Light Duty Adjustable Sheaves

Cast Iron Sheaves - **Light Duty**
Bored-to Size,
One Groove
VL Sheaves

Order part number size
Example: 1VL25-5/8

VL Sheaves may be used with 3L,
4L, 5L, A and B Belts. See pages 100-105.



VL

All VL sheaves are furnished with standard keyway and (2) 5/16-18 x 5/16 knurled set screws.

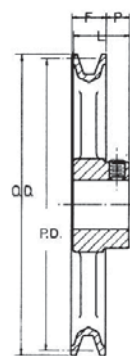
| Part No. | O.D. | F | | G | | L | L1 | K | M | Bore | Avg. Wt. |
|----------|-------|-------|-------|-------|-------|-------|-------|-------|-------|-----------|----------|
| | | Max | Min | Max | Min | | | | | | |
| 1VL25 | 2.500 | 0.781 | 0.531 | 0.625 | 0.375 | 1.634 | 0.728 | 0.697 | 1.125 | 1/2, 5/8 | .85 |
| 1VL30 | 2.870 | 0.781 | 0.531 | 0.625 | 0.375 | 1.634 | 0.728 | 0.697 | 1.125 | 1/2, 5/8 | 1.1 |
| 1VL34 | 3.150 | 1.000 | 0.625 | 0.875 | 0.500 | 1.933 | 0.815 | 0.744 | 1.125 | 1/2, 5/8, | 1.1 |
| | | | | | | | | | 1.375 | 3/4 | 1.3 |
| 1VL40 | 3.750 | 1.000 | 0.625 | 0.875 | 0.500 | 1.933 | 0.815 | 0.744 | 1.125 | 1/2, 5/8, | 1.5 |
| | | | | | | | | | 1.375 | 3/4, 7/8, | 1.5 |
| 1VL44 | 4.150 | 1.000 | 0.625 | 0.875 | 0.500 | 1.933 | 0.815 | 0.744 | 1.125 | 1/2, 5/8, | 1.6 |
| | | | | | | | | | 1.375 | 3/4, 7/8 | 1.7 |
| 1VM50 | 4.750 | 1.060 | 0.688 | 0.875 | 0.500 | 1.996 | 0.846 | 0.776 | 1.125 | 1/2, 5/8, | 2.4 |
| | | | | | | | | | 1.375 | 3/4, 7/8 | 2.4 |

Cast Iron Sheaves - **Light Duty**
Bored-to Size,
One Groove
AL Sheaves

Order part number size
Example: no keyway = AL54-5/8, with keyway = AL54-5/8KW
AL Sheaves may be used with 4L, A Belts.

See pages 100-102.

AL Sheaves come with or without Keyway and are for Light Applications - Fans, Air Conditioning Units, Furnace Blowers etc.



AL

| Part No. | O.D. | Pitch | F | L | P | Bore | Hub O.D. | Avg. Wt. |
|----------|-------|-------|------|-------|------|-------------|----------|----------|
| AL54 | 4.93 | 4.78 | .593 | 1.062 | .468 | 5/8, 3/4, 1 | 1.7 | 1.2 |
| AL64 | 5.93 | 5.78 | .593 | 1.062 | .468 | 5/8, 3/4, 1 | 1.7 | 1.4 |
| AL74 | 6.93 | 6.78 | .593 | 1.062 | .468 | 5/8, 3/4, 1 | 1.7 | 1.7 |
| AL84 | 7.93 | 7.78 | .593 | 1.062 | .468 | 5/8, 3/4, 1 | 1.7 | 1.9 |
| AL94 | 8.93 | 8.78 | .593 | 1.062 | .468 | 3/4, 1 | 1.9 | 2.6 |
| AL104 | 9.93 | 9.78 | .593 | 1.062 | .468 | 3/4, 1 | 2.0 | 3.0 |
| AL114 | 10.93 | 10.78 | .593 | 1.062 | .468 | 3/4, 1 | 2.0 | 3.5 |
| AL124 | 11.93 | 11.78 | .593 | 1.062 | .468 | 3/4, 1 | 2.0 | 4.0 |
| AM144 | 14.16 | 14.00 | .687 | 1.750 | .406 | 1 | 2.0 | 5.2 |

Rework Charges for : Rebores, Keyways, additional setscrews - P.O.R. All AL sheaves are statically balanced and include (1) 5/16-18 knurled setscrew.